

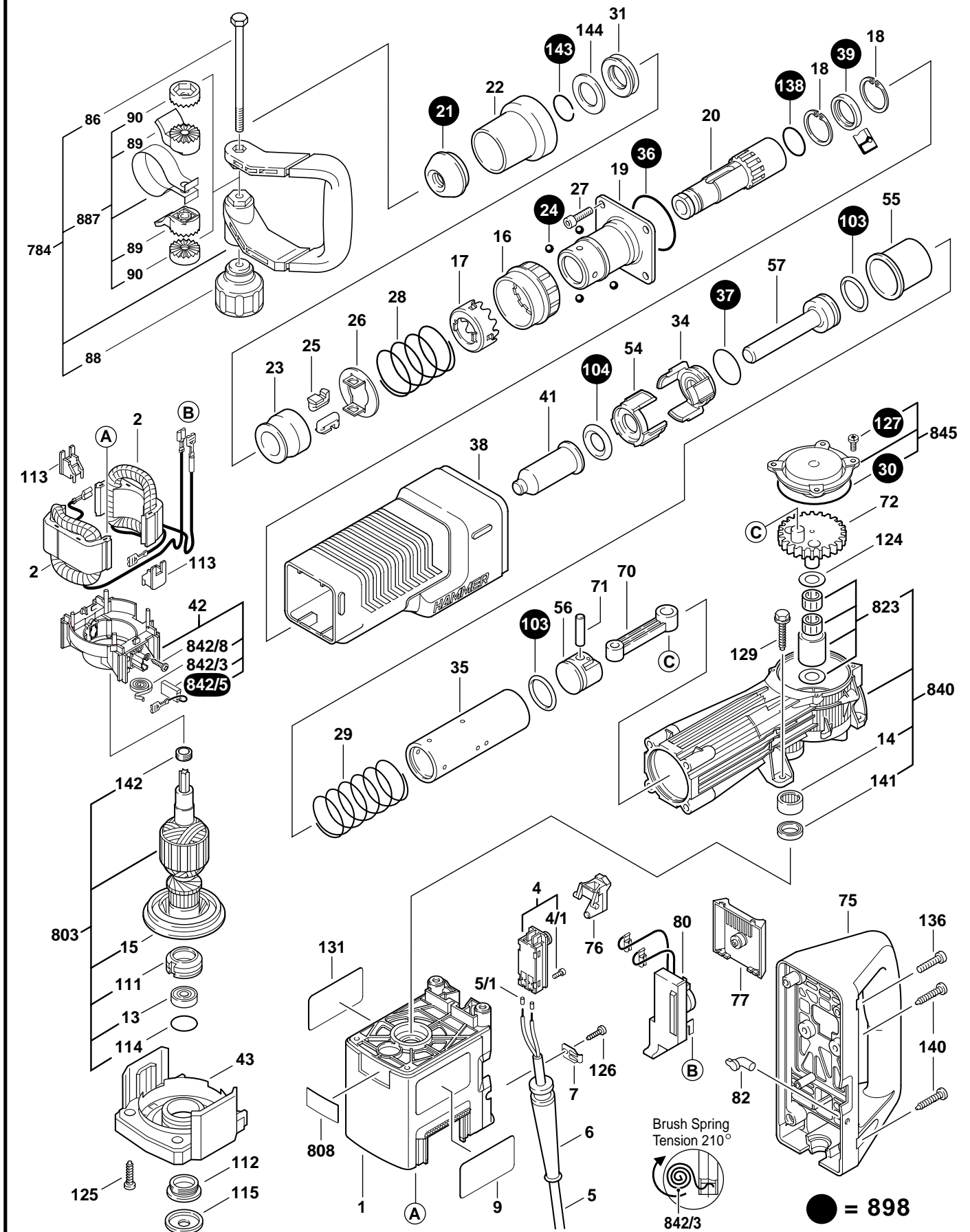
BOSCH

January 2000
INDUSTRIAL

DEMOLITION HAMMER

Model 0611316739

11316EVS



11316EVS DEMOLITION HAMMER

Pos.	Part Number	Description {Qty.}	F/C	Pos.	Part Number	Description {Qty.}	F/C
1	1 615 108 091	Motor Housing	71	75	1 615 132 082	Handle	74
2	1 614 220 125	Field 115V	22	76	1 612 026 049	Switch Actuator	63
4	1 617 200 048	Switch On/Off	15	77	1 612 026 048	Shift Plate	63
4/1	2 910 011 088	Screw {2}	89	80	1 617 233 027	Speed Control 115V	17
5	1 604 460 092	Cord 115V 14/2	11	82	1 615 510 000	Light Conductor	9
5/1	1 900 452 003	Terminal Sleeve {2}	11	86	2 911 011 270	Hex Bolt	89
6	1 600 703 010	Strain Relief	11	88	1 613 349 017	Knob	63
7	1 601 302 018	Cord Clamp	89	89	1 618 040 053	Clamp Holder {2}	9
9	1 611 110 892	Label "11316EVS"	9	90	1 610 190 018	Catch Disc {2}	9
13	2 610 909 310	Ball Bearing	60	103	1 610 210 122	O-Ring {2}	42
14	1 610 910 089	Needle Bearing	61	104	1 610 210 123	O-Ring	78
15	1 616 610 083	Fan	23	111	3 610 501 500	Threaded Bushing	82
16	1 610 499 022	Ratchet Sleeve	86	112	3 613 461 500	Threaded Ring	85
17	1 610 590 004	Ratchet Ring	86	113	1 610 009 007	Spacer {2}	82
18	1 610 119 010	Retaining Ring {2}	89	114	1 900 210 130	O-Ring	78
19	1 615 700 034	Flange	73	115	1 610 508 027	Cap	9
20	1 618 597 067	Drill Holder	83	124	1 610 101 608	Washer	65
21	1 610 508 025	Dust Shield	92	125	2 910 611 047	Screw {4}	89
22	1 610 499 023	Sleeve	92	126	2 910 611 019	Screw	89
23	1 610 521 011	Stop Sleeve	86	127	1 613 414 015	Screw {4}	89
24	1 903 230 012	Ball 6.5mm {8}	66	129	2 914 541 008	Screw {4}	89
25	1 612 300 025	Locking Cog {2}	86	131	2 610 994 183	Label "Caution"	9
26	1 610 290 027	Locking Ratchet	86	136	2 914 551 114	Screw {2}	89
27	2 910 141 246	Screw {4}	89	138	1 610 210 130	O-Ring	78
28	1 614 621 002	Spring	86	140	2 910 211 247	Screw {4}	89
29	1 614 621 003	Spring	27	141	1 610 290 028	Seal	77
30	1 610 210 147	O-Ring	78	142	3 613 344 500	Grease Slinger	82
31	1 610 290 026	Bushing	86	143	2 916 540 017	Spring Ring	89
34	1 610 390 029	Control Disc	49	144	1 610 102 029	Washer	65
35	1 615 806 108	Guide Tube	43	784	2 602 025 076	Auxiliary Handle	9
36	1 610 210 127	O-Ring	78		w/pos. 84, 86, 88, 887		
37	1 610 210 128	O-Ring	78	803	1 614 011 074	Armature w/Fan 115V	AW
38	1 615 190 093	Plastic Sleeve	70		w/pos. 13,15,111,114,142		
39	1 610 283 030	Seal	77	808	1 601 106 999	Nameplate	9
41	1 618 710 071	Impact Bolt	45	823	1 617 000 403	Needle Bearing	56
42	1 614 336 036	Brush Holder Assembly	25	840	1 617 000 969	Impact Housing Assembly	72
		w/pos. 842/3 - 842/8			w/pos. 14, 141, 823		
43	1 615 808 083	Motor Housing Cover	70	842/3	1 614 652 004	Brush Spring {2}	27
54	1 610 190 019	Control Disc	49	842/5	1 617 014 126	Brush Set	26
55	1 610 420 005	Control Bushing	49	842/8	2 910 611 012	Screw {2}	89
56	1 618 700 064	Piston	47	845	1 617 000 412	Gear Housing Cover Assy.	70
57	1 618 710 062	Striker	44	887	1 617 000 188	Clamp Assembly	80
70	1 612 001 033	Connecting Rod	57		w/pos. 87, 89, 90		
71	1 613 101 006	Wrist Pin	47	898	1 617 000 414	Service Pack w/Grease	1
72	1 616 317 045	Eccentric Gear	34				

Service Notes: