

JA-SERIES TROWEL— SPECIFICATIONS (TROWEL)

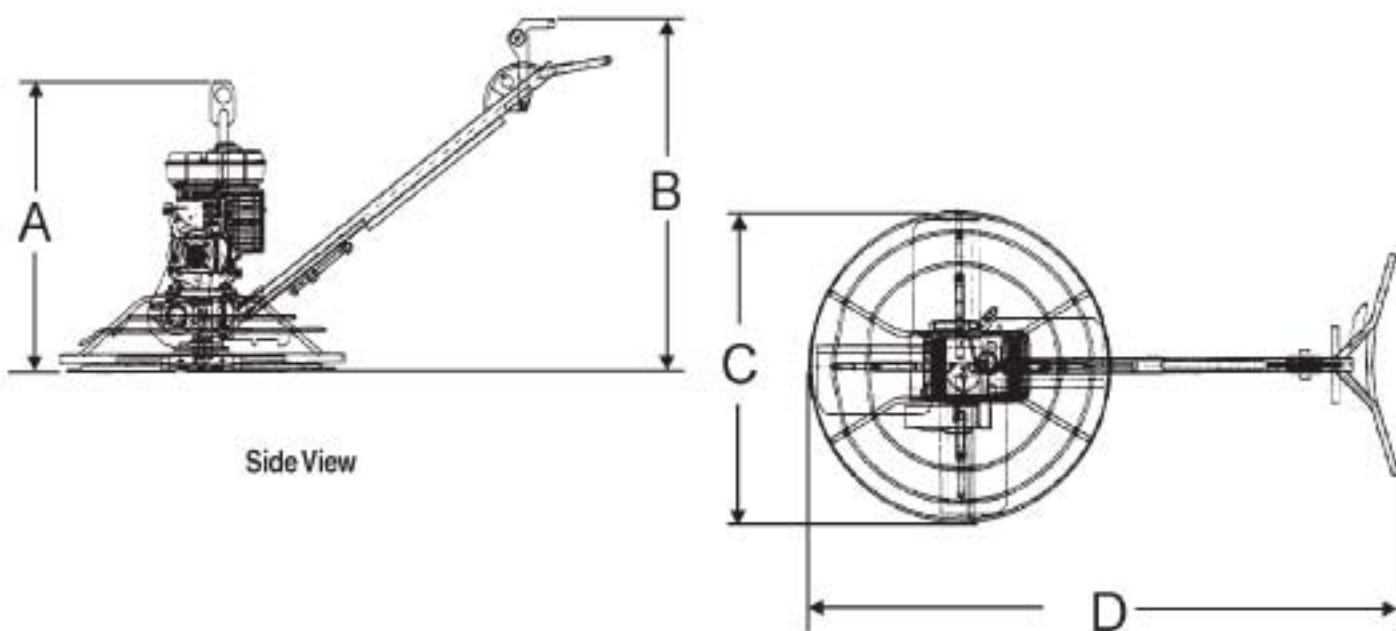


Figure 2. JA-Series Trowel Dimensions

Table 1. JA-Series Trowel Specifications

A- Height (Lifting Hook)	36.7 in (931.6 mm)
B- Height Engagement Lever)	41.4 in (1,044.2 mm)
C-Width	36.5 (927.1 mm)
D-Length	70.5 (1,789.4 mm)
Weight – Operating	see Table 3.
Sound Pressure	94 db
Vibration	2.0g (19.6 m/s ²)
Ring Diameter	36.5 in (92.7 cm)
Number of Blades	3 or 4
Blade Tip Speed – FPM (m/s)	1,182 fpm (6.0 m/s)
Rotor – RPM (max.)	129 rpm @ 4000

NOTE:

1. Sound pressure is a weighted measure. Measured at the operators ear position while the walk-behind trowel is operating at full throttle on concrete in a manner most often experienced in "normal" circumstances. Sound pressure may vary depending upon the condition of the concrete. Hearing protection is always recommended.
2. The vibration level indicated is the maximum RMS (Root Mean Square) value obtained at the handle grip while operating the walk-behind trowel on curing concrete in a manner most often experienced in "normal" circumstances. Values were obtained from all three axes of motion. The values shown represent the maximum RMS value from these measurements.